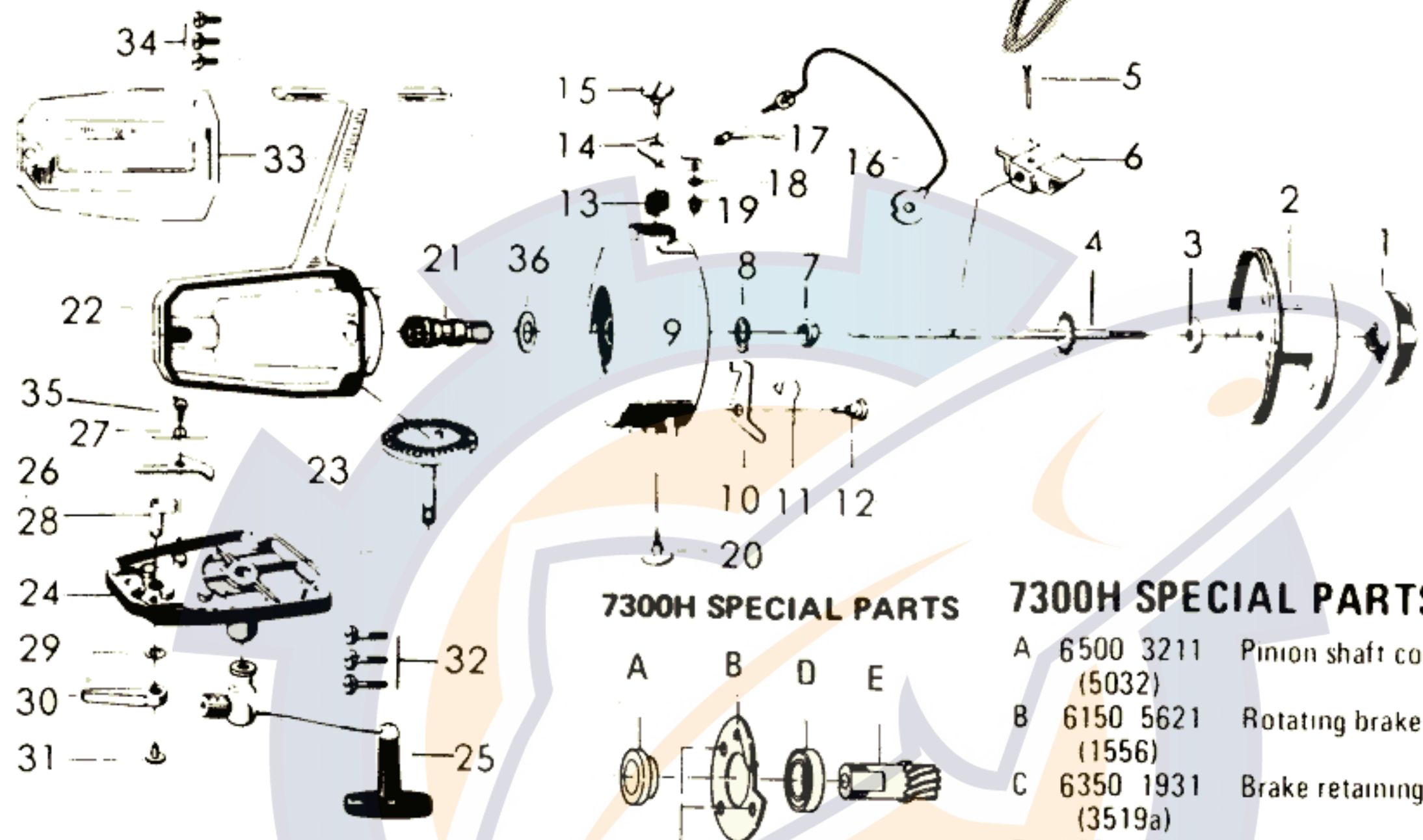
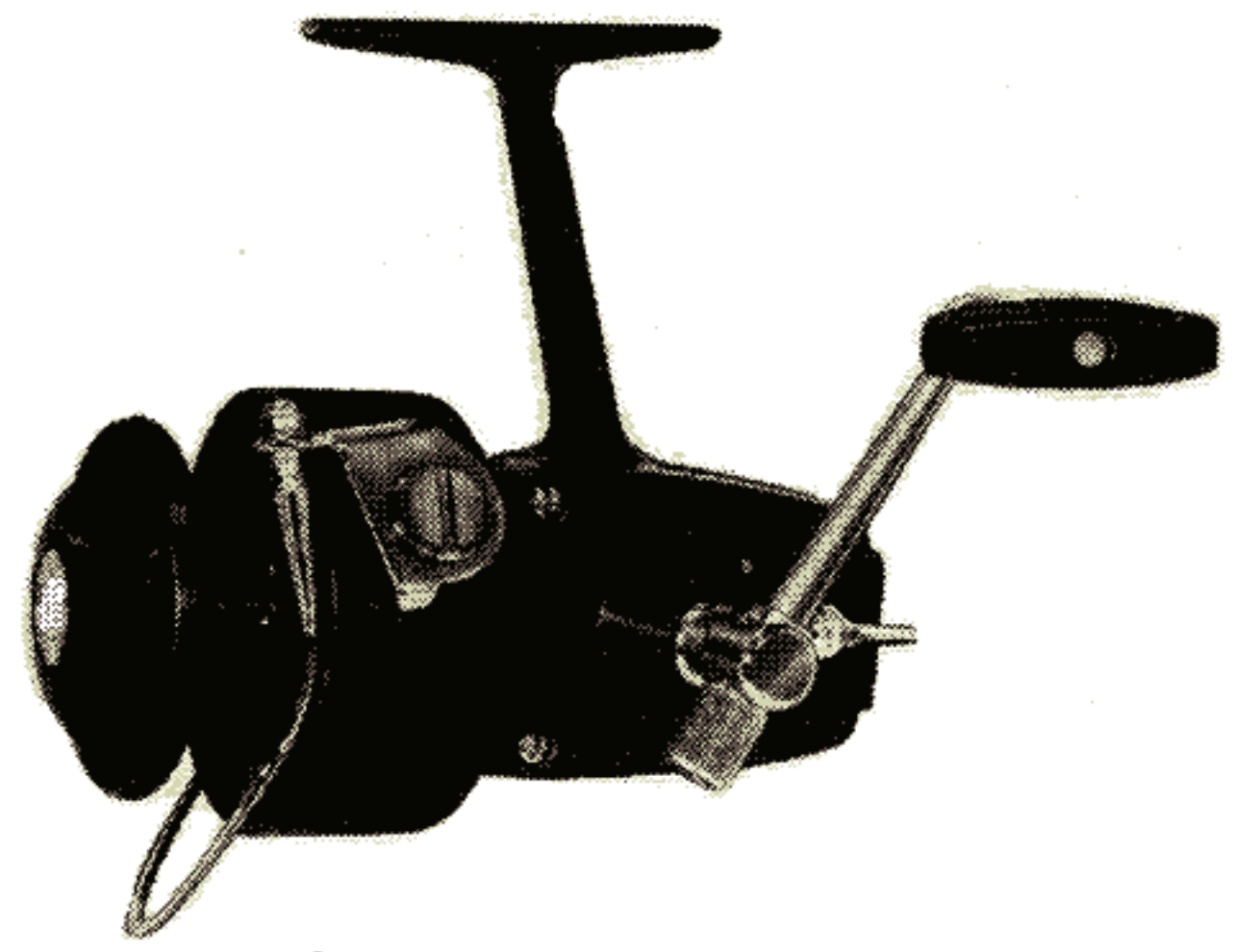
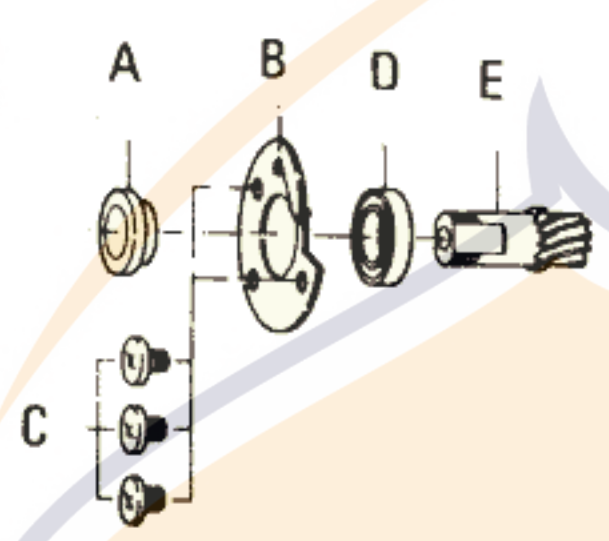




# SPINNING REEL 7300A 7300HA



### 7300H SPECIAL PARTS



### 7300H SPECIAL PARTS

Key No	Parts No	Parts Name	Price
A	6500 3211 (5032)	Pinion shaft collar	\$ 20
B	6150 5621 (1556)	Rotating brake	25
C	6350 1931 (3519a)	Brake retaining screw	15
D	6631 6901 (63169)	Ball bearing	3.00
E	6400 7021 (4070a)	Pinion	75

LINE CAPACITY: 300 YDS., 10 LB. TEST

Key No	Parts No.	Parts Name	price	Key No.	Parts No.	Parts Name	price	Key No	Parts No	Parts Name	price
1	6003 44 21 (A00344)	Drag knob	\$ .65	16	6002 8831 (A00288)	Bail	\$ 1.35	31	6350 1931 (3519a)	Anti-reverse lever screw	\$ 15
2	6003 4731 (A00347)	Spool assembly	2.50	17	6250 0231 (2502c)	Line roller	30	32	6351 1501 (35115)	Body cover A screw	10
3	6371 4411 (37144-1)	Spool washer	15	18	6160 0121 (37289)	Bail washer	10	33	6705 5501 (A00587)	Body cover B	30
4	6003 4611 (A00346)	Main shaft	75	19	6340 2011 (3420a)	Bail nut	30	34	6351 1301 (35113)	Body cover B screw	10
5	6490 2421 (4924)	Oscillating slider pin	15	20	6361 6501 (36165)	Bail holder screw	35	35	6351 2562 (35125)	Anti-reverse claw screw	20
6	6480 3511 (4835)	Oscillating slider	.30	21	6400 6011 (4060)	Pinion	50	36	6371 6420 (37164-1)	Pinion washer	10
7	6340 5841 (3458)	Rotor nut	.20	22	6192 3301 (01730-2b)	Body	2 00	(21, 36, 7300 only) For 7300H only			
8	6160 1611 (1616a)	Rotor retaining washer	15	23	6410 7921 (4179a)	Drive gear	80	4	6003 4511 (A00345)	Main shaft	\$ .75
9	6005 8651 (A00586)	Rotor	1.80	24	6062 5701 (0669b)	Body cover A	50	10	6570 6601 (5766)	Bail kick lever	.35
10	6570 3131 (5731a)	Bail kick lever	.25	25	6000 6131 (A0052)	Handle	2 00	15	6361 6611 (36166)	Arm lever screw	35
11	6140 5031 (1450c)	Bail kick lever spring	15	26	6110 2021 (1120a)	Anti-reverse claw	20	19	6340 8201 (3482)	Bail nut	35
12	6361 1511 (36115a)	Bail kick lever screw	.20	27	6141 0021 (14100a)	Anti-reverse claw spring	15	22	6192 3303 (01730H 2d)	Body	2 00
13	6140 9221 (1492a)	Bail spring	15	28	6460 2011 (4620)	Anti-reverse cam	15	23	6410 9851 (4198a)	Drive gear	80
14	6230 1651 (2316a)	Arm lever	50	29	6150 1741 (1517b)	Anti-reverse lever washer	10	26	6110 3711 (1137)	Anti-reverse claw	20
15	6361 6401 (36164)	Arm lever screw	35	30	6540 2221 (5422)	Anti-reverse lever	20	27	6141 4411 (14144)	Anti reverse claw spring	15

ALWAYS SPECIFY MODEL NO , KEY NO & STOCK NO WHEN ORDERING PARTS  
PLEASE ENCLOSE CORRECT AMOUNT FOR PART'S PRICE WHEN ORDERING